



Hand Held Metal Detector UNX3003B1

Application :

Aviation ,Station , Ports ; Customs, Public Security , Frontier Defence Department ; Medicine , Food Commerce System ;Critical Infrastructure , Playground Security ; Precious Metal inspection , such as gold , silver jewelry manufacturer .

Features :

- High Sensitive,Simple ,Convenient ,No adjusting ;
- 9V fell to7V,detection range is constant ;
- Save electricity,continuously work more than 40 hours ;
- Alarm by buzzing or vibrating ;
- Automatically buzz or vibrate continuously,when the battery run out of ;
- Boot or shutdown,the detector will buzz or vibrate ;
- Sensitivity level,high and low, two options ;
- Have plug-in socket .

Technical Specifications :

Settings & Parameters	
Power Supply	9V battery or rechargeable battery
Power	270MW (Max)
Frequency	22KHz
Standby Current	<5MA
Voltage	DC 7-12V
Operation Temperature	-10°C -- +65°C
Weight	360g
Dimensions	417mm x 90mm x 33mm
Package Size	430mm x 95mm x 40mm
Alarm Method	Buzz / Vibrate

Detection Range :

- ★ Pin:30—60mm;
- ★ 64 Caliber Hand Gun:150mm;
- ★ Knife:160mm ;
- ★ Diameter 20mm Steel Ball:90mm .
- ★ Coin:100-130mm



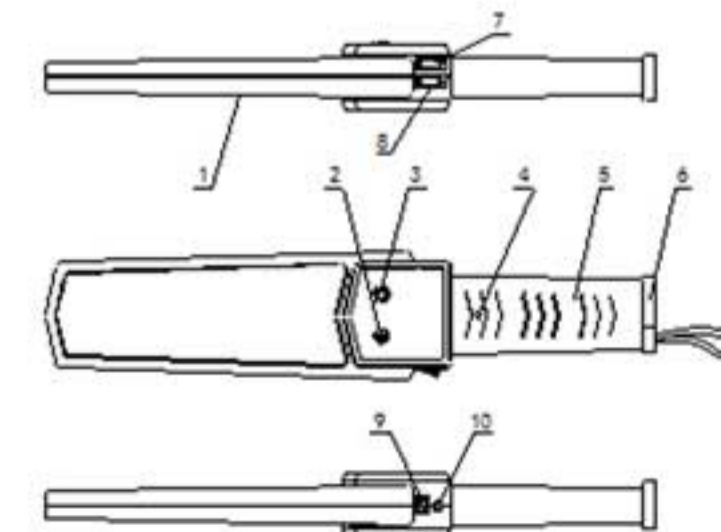
Notes :

- ★ Cut offthe power after use ;
- ★ Remove the battery, long time do not use;
- ★ Detector do not buzz or vibrate,when it is held still over a metal object.
- ★ Turn off the detector when charging it
Charger Voltage:AC 9V:DC 10V. (Charger prepares by yourself)

Operation :

- ★ Turn it on by pushing the On switch until it clicks,green LED is lit,the detector is operational.When the detector have no battery,or the battery contact undesirable,the green LED is not lit.Have to change the battery,when the detector still buzz or vibrate.
- ★ Buzzer or vibration is optional.Press the red button,alarm by vibrating.Do not press the red button,alarm by buzzing.
- ★ Turn on the detector, it will be on the high sensitivity state.Hold the detector with the detection face towards the surface of something,sweep backwards and forwards continuously above the area of it.The detector will buzz or vibrate, when it detects the metal.Meanwhile the green light will turn into red.If the detector is held still,the detection signal will automatically reduce.
- ★ Low sensitivity testing:if you do not need to detect the smaller metal object,press the low sensitivity button.Sweep backwards and forwards continuously above the area of the object.The detector will buzz or vibrate,when it detects the metal.Meanwhile the green light will turn into red.If the detector is held still,the detection signal will automatically reduce.Detector will only respond to the bigger metal.Because the sensitivity is 5 times lower.

Schematic Diagram:



1. Detection Face
2. LED(Green for Power /Red for Alarm)
3. Buzzer
4. Sensitivity Adjuster
5. Handle
6. Battery Coer
7. Low Sensitivity Switch
8. On/Off Switch
9. PowerSocket
10. Buzzer/Vibrator Button

Note: The above pictures and parameters for reference only, the actual quotation and sales contract shall prevail